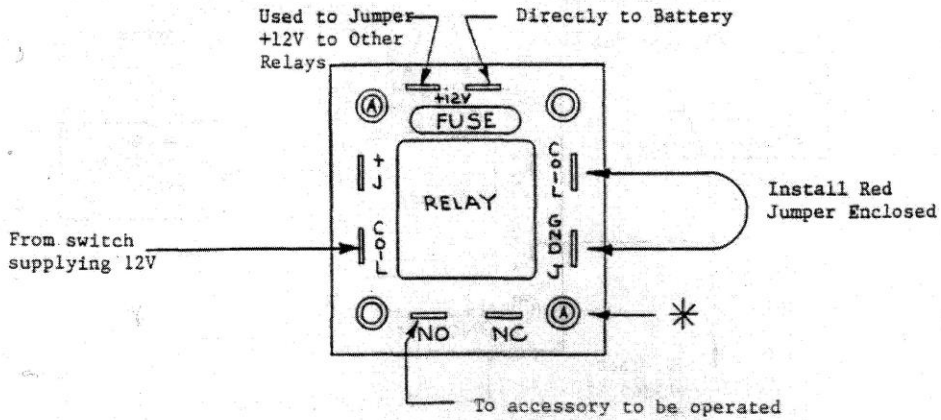
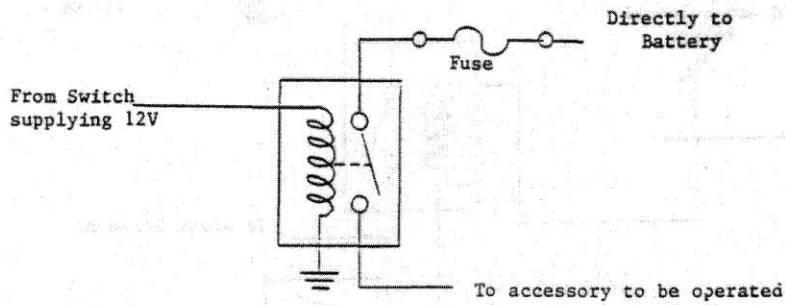


UNIVERSAL HOOK-UP  
SWITCHING 12VOLTS

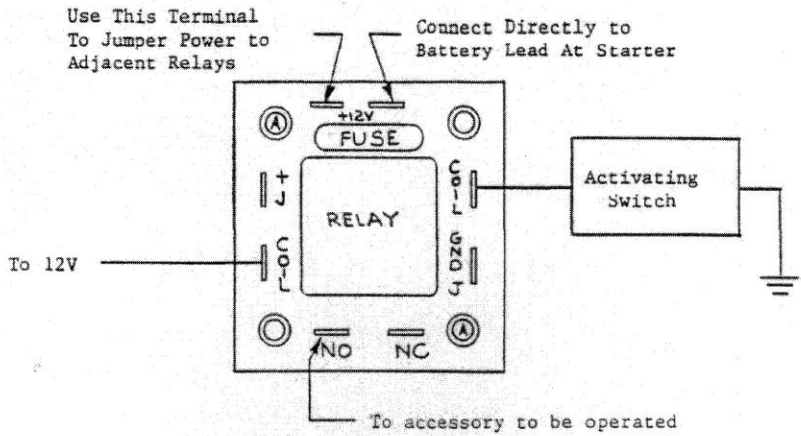


IF RELAY BOARD IS NOT MOUNTED TO A GROUNDED SURFACE  
DO NOT CONNECT THE RED JUMPER AND RUN A LEAD FROM THE  
TERMINAL MARKED COIL ON THE RIGHT TO GROUND.

SCHEMATIC



UNIVERSAL HOOK-UP  
SWITCHING GROUND



NOTE: USE THIS HOOKUP WHEN USING AN RPM ACTIVATED SWITCH AS THE ACTUATION SWITCH.

SCHEMATIC

