

ARC Shipping Address:

Auto Rod

50 Green Street

Wrentham, MA 02093

This is the instruction manual for

the Auto Rod Power Stick Switch

Board Model PS8. Please read through

before installation and use.

Switch Orientation is from left to right

1. Starter Switch – momentary action
2. Ignition Switch – also supplies power to the fuel pump switches
3. Fuel Pump Switch
4. Second fuel pump or auxiliary switch. By selecting one of two different fuse insertion locations this switch will either draw power directly from 12v or through the ignition switch.
5. 6. 7. Auxiliary switches, each of which can be used for any function.
8. An auxiliary switch which also activates the night glow* feature in the unit. Although intended for the operation of dash and tail lights it may be used for any function.

*By activating the night glow function it is possible to read the switch labels and find the switch easily in the dark even when they are turned off.

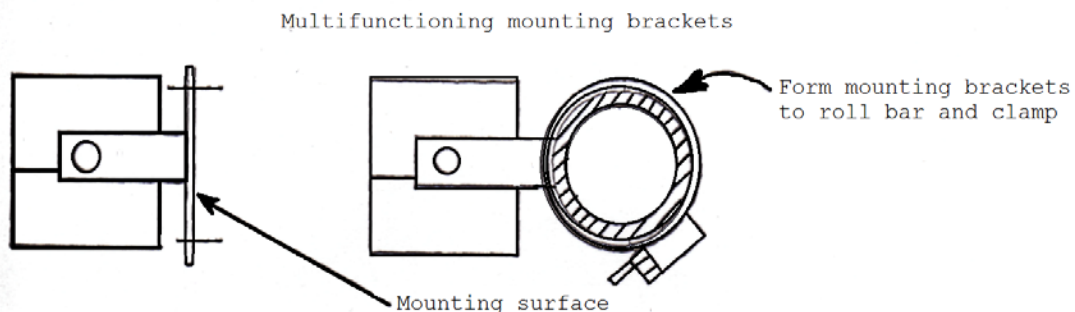
Operation

The fuses are located, directly behind their related switches.

The first fuel pump switch shares the ignition switch fuse.

In the day time the switches are unlit when off and lighted when on.

In the evening with the night glow activated the switches glow dimly when off and increase intensity when on. The night glow feature will not activate on fuel pump switches until the: ignition switch is turned on.



Loosen Side screws and the unit will rotate for best visibility.

Unit will mount vertically or horizontally.
Mount switch labels on in center of switch.

Switch labels can be installed so as to read correctly for both vertical and horizontal mounting

ARC Shipping Address:

Auto Rod

50 Green Street

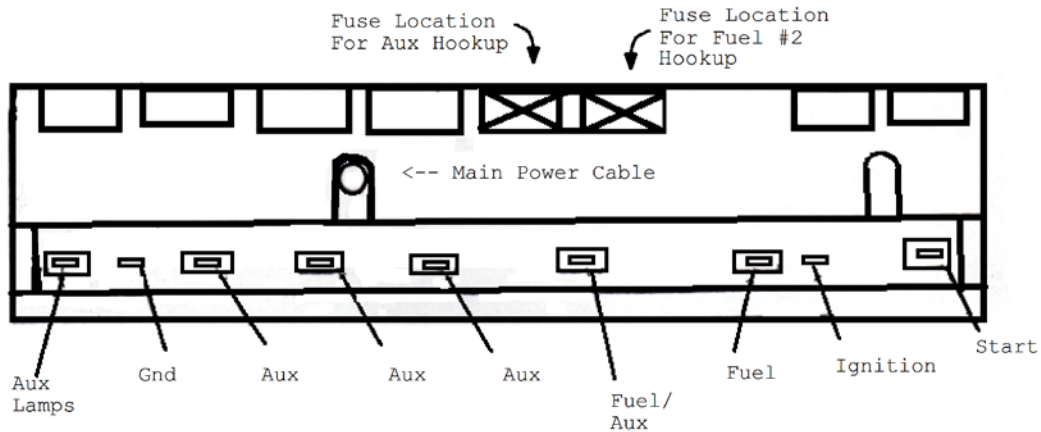
Wrentham, MA 02093

This is the instruction manual for

the Auto Rod Power Stick Switch

Board Model PS8. Please read through

before installation and use.



REAR VIEW OF UNIT

Harness Wires

Eight Position

White	--	Starter
Red	--	Ignition
Black	--	Ground
Yellow	--	Fuel
Orange	--	Fuel #2 or Auxiliary
Green	--	Aux
Purple	--	Aux
Blue	--	Aux
Pink	--	Lamps or Aux