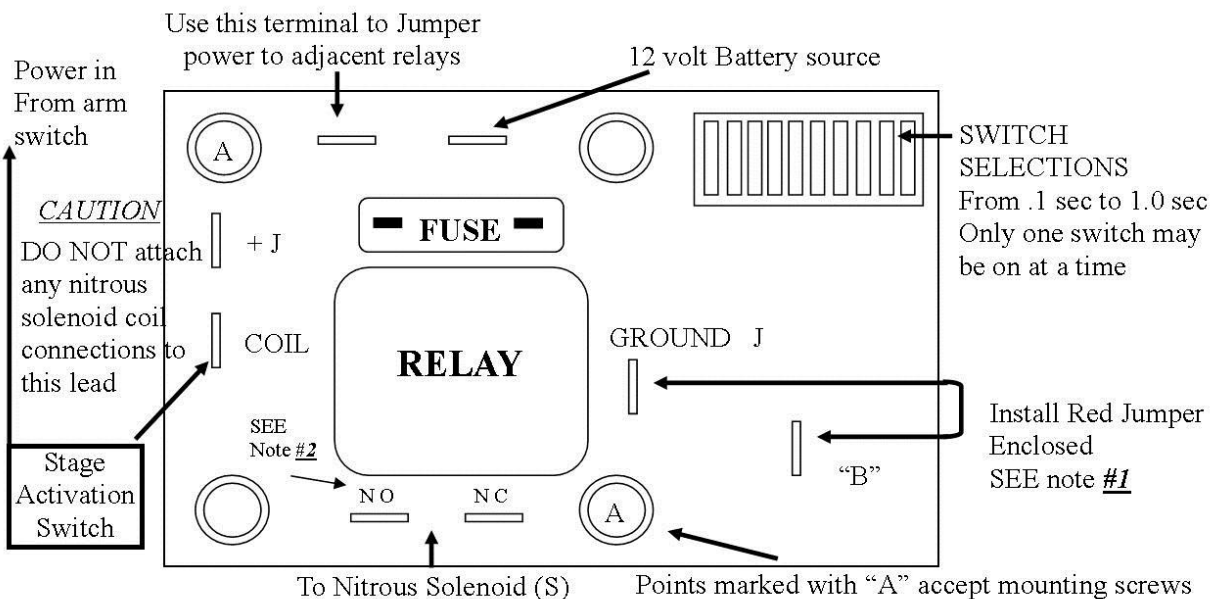


Part #1402 Time Delay Relay

TIME DELAY RELAY

STARTING TIMER WITH 12V SIGNAL

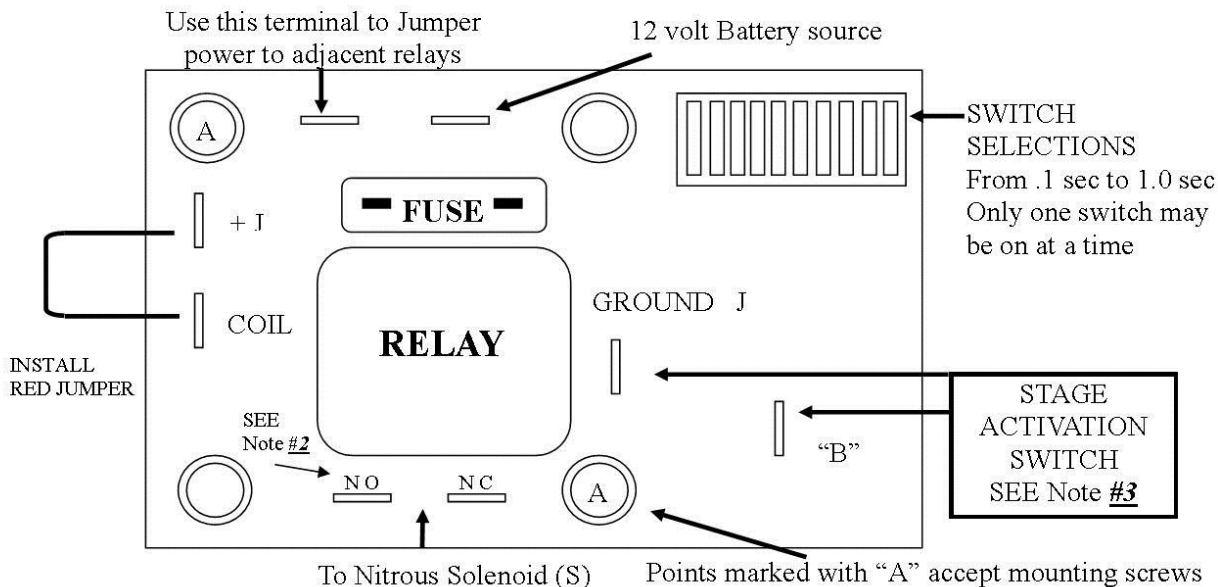


#1 if the relay board is NOT mounted to a grounded surface do NOT connect the RED jumper. Run a lead from the terminal marked GROUND J to a grounded surface.

#2 "N O" (Normally Open) Delivers power at end of Timer Cycle
 "N C" (Normally Closed) loses power at end of Timer cycle

TIME DELAY RELAY

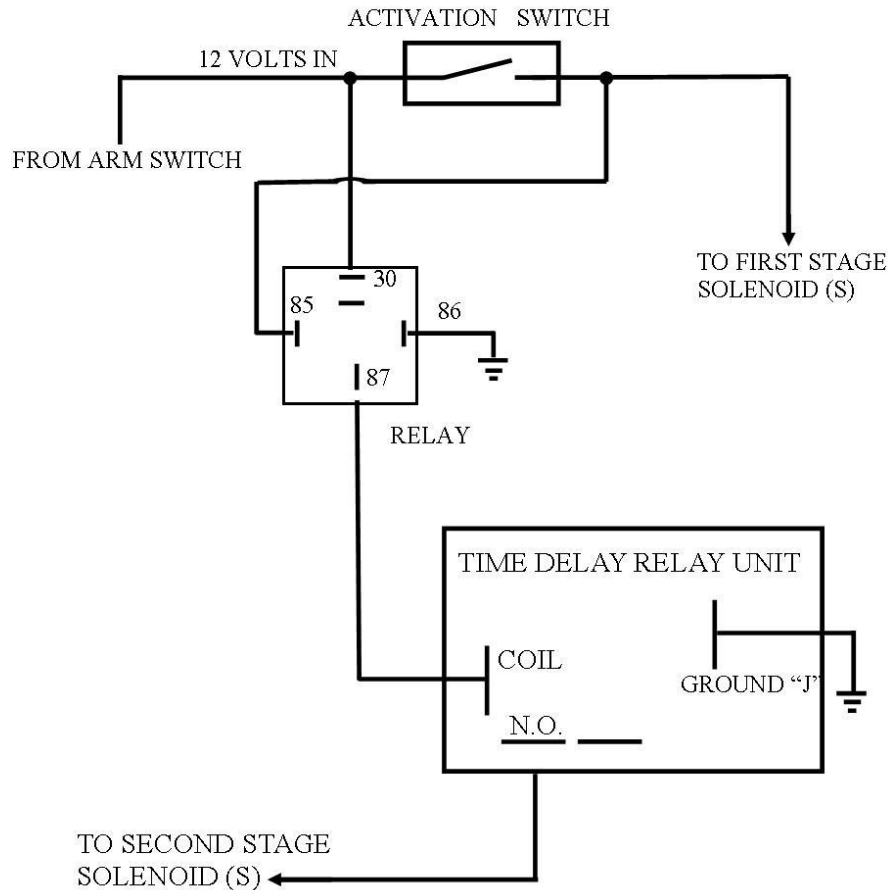
STARTING TIMER WITH GROUND SIGNAL



#3 if the relay board is NOT mounted to a grounded surface, This stage activation switch MUST be connected to ground instead of terminal marked "B"

Part #1402 Time Delay Relay

WIRING DIAGRAM FOR TIME DELAY RELAY UNIT WHEN USED TO ACTIVATE A DELAYED SECOND STAGE



50 Green Street, Wrentham, MA 02093 Phone (508)384-1524