

PWM-A Voltage Reducer Control

This voltage reducer will drop your input voltage from up to 20VDC . The output is adjustable from 20 to 0 Volts. It will deliver 25 Amps of current and has an internal remote reset circuit breaker. At full load its outside temperature will only rise 40 degrees Fahrenheit and therefore will not cause any problems as to where it can be mounted. It must however be mounted out of the weather. The mounting screws require 1/8" dia. mounting holes. Dimensions are 6.5"L x 1.6"W x 1.2"H. Weight is 7 ounces.

Wiring Instructions

Accessory output wire Red with Purple stripe 12 gauge

Power input wire red 12 gauge

Ground wire Black 20 gauge

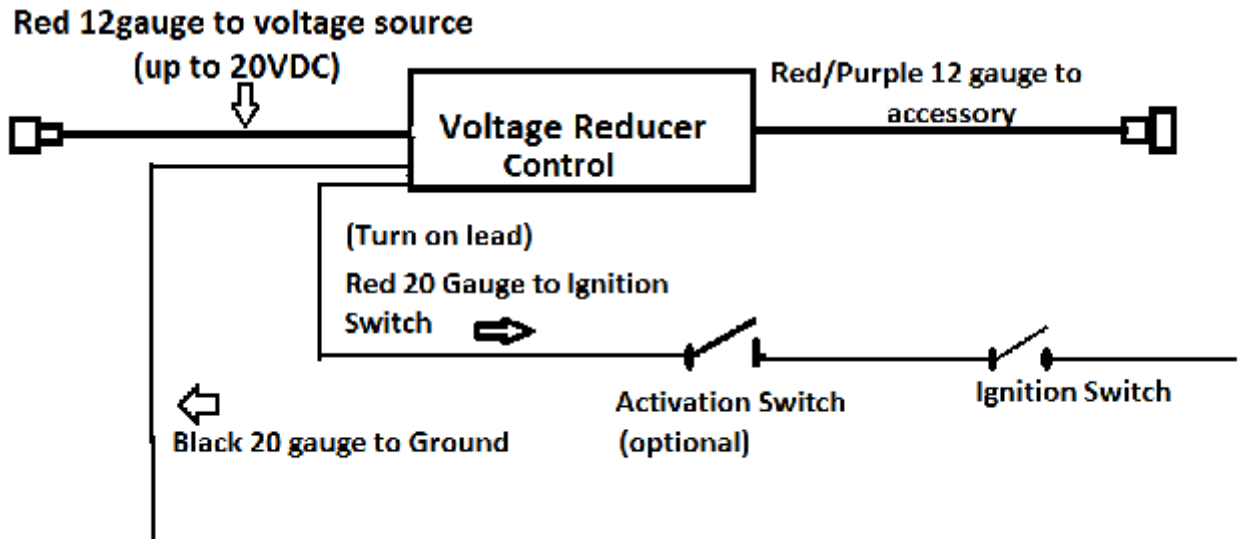
Ignition Turn-on lead red 20 gauge

1. Mount unit
2. Connect output (red/purple 12 gauge) to load
3. Connect black ground lead to grounded surface
4. Connect the voltage input lead (red 12 gauge) directly to power
5. Connect turn on lead (red 20 gauge) to either ignition switch or a separate switch supplying voltage

Note: you will not be able to read the Voltage output with a meter until the unit is running and connected to an accessory (load).

The internal circuit breaker is a remote reset design. If it trips from an overload, it will only reset when the turn-on lead is turned off for at least 5 seconds then turned back on again.

Recommended Hookup



Voltage Output Adjustment

The voltage adjustment knob comes preset to an initial setting of approximately 50% of the input voltage. It rotates through 270 degrees. Turn with fingers only to avoid forcing it past its stops.

270 degrees rotation

