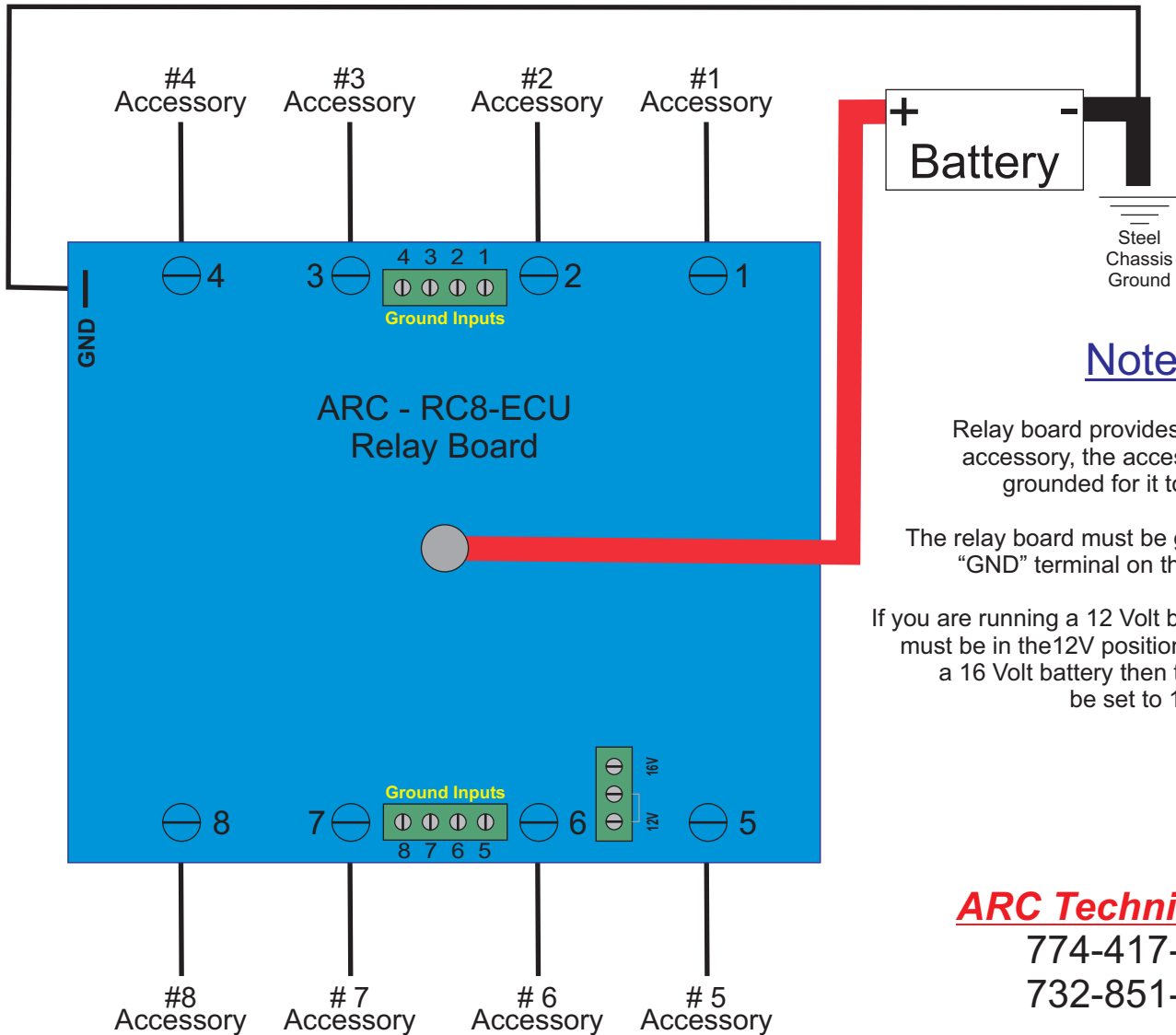


Model RC4, RC8, RC12 Instructions

1. Set 12V/16V Jumper to correct position for your battery voltage. Note that the RC12 has TWO separate terminal blocks for setting the correct battery voltage. This setting has no effect on the output of the relays, it is to protect the coils of the relays from the extra voltage of 16 Volt batteries.
2. Connect heavy #6 cable to battery +
3. Connect a ground wire to male push on terminal marked ground. (RC12 has two ground terminals, connect a ground wire to both).
4. Connect relay activation wires to the terminal blocks. The relay number for each terminal is labeled on the board below each terminal opening.
5. Connect output wires to your accessories. The terminals for the output wires are lugless terminals. Strip approx. 1/2" of insulation off the end of the wire, loosen the screw, place the wire under the clamp and tighten screw.
6. If it is desired to output ground from a relay this can be accomplished by doing the following: remove the fuse for the relay you wish to output ground from. This will leave you with two female 1/4" terminals where the fuse was. Now insert a grounded wire into the fuse clip furthest from the center of the board. Now, when this relay is turned on it will output ground instead of battery +.



21 Le Valley Dr., Englishtown, NJ 07726 732-851-5095



Notes

Relay board provides power to your accessory, the accessory must be grounded for it to function.

The relay board must be grounded using the "GND" terminal on the relay board.

If you are running a 12 Volt battery then the jumper must be in the 12V position. If you are running a 16 Volt battery then the jumper must be set to 16V.

ARC Technical Help:

774-417-6542

732-851-5095